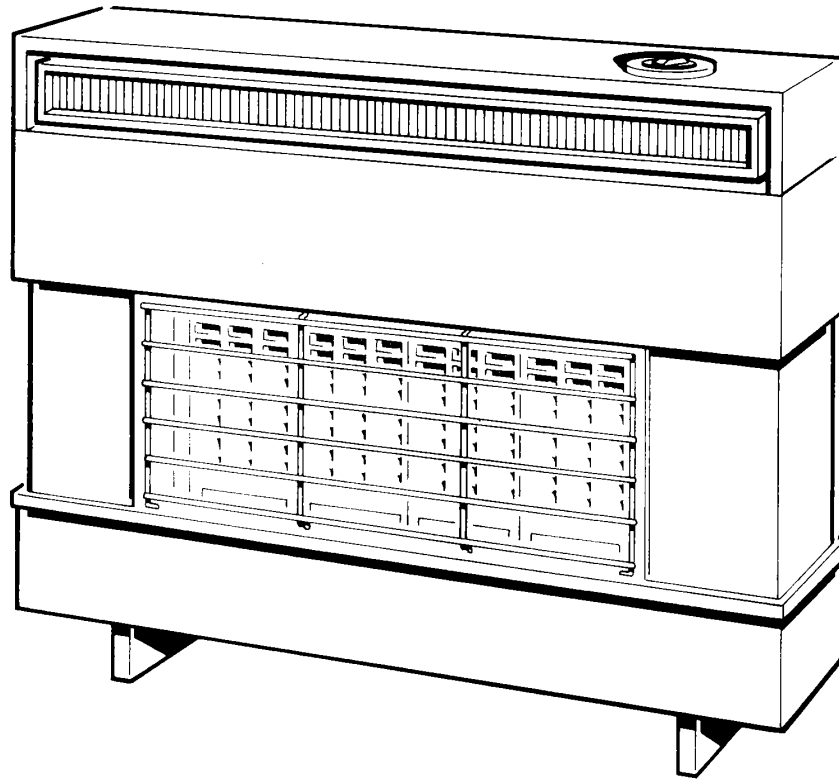


## **Installation & Service Instructions**

### **Hallmark**

#### **Radiant Convector Gas Fire**



#### **THE GAS SAFETY (INSTALLATION AND USE) REGULATIONS 1994.**

“In your own interest, and that of safety, it is law that all gas appliances are installed by competent persons, in accordance with the above regulations. Failure to install appliances correctly could lead to prosecution.”

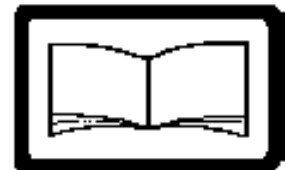
Installation must be in accordance with these Installation and Service Instructions and the rules in force.

The polythene bags used for packaging are a potential hazard to babies and young children and **MUST BE DISPOSED OF IMMEDIATELY.**

#### **LEAVE THESE INSTRUCTIONS WITH THE USER FOR USE ON FUTURE CALLS**

**For Use With Natural Gas  
(G20) Only At 20mbar  
For Use in GB**

**IMPORTANT  
PLEASE READ THIS BOOK  
BEFORE INSTALLING  
OPERATING OR SERVICING  
THIS APPLIANCE**



## Contents - Page 2

<b>1.</b>	<b>TECHNICAL DATA</b> .....	<b>3</b>
<b>2.</b>	<b>GENERAL</b> .....	<b>4</b>
<b>3.</b>	<b>INSTALLATION REQUIREMENTS</b> .....	<b>4</b>
	3.1 Fire location.....	4
	3.2 Check The Chimney.....	4
	3.3 Combustible Wall Cladding.....	5
	3.4 Fireplace Opening.....	5
	3.5 Fire Surround & Shelves.....	5
	3.6 Spigot & Spigot Extension.....	6
	3.7 Pre-Cast Flue.....	6
<b>4.</b>	<b>INSTALLATION</b> .....	<b>6</b>
	4.1 Unpack the Fire.....	6
	4.2 Pre-Cast Flue.....	6
	4.3 Closure Plate - Wall Mounted.....	7
	4.4 Closure Plate - Hearth Mounted.....	7
	4.5 Spigot Restrictor.....	7
	4.6 Dis-assemble The Fire.....	8
	4.7 Mounting The Fire.....	8
	4.8 Prepare The Fire Connection.....	8
	4.8.1 Gas Connection.....	9
<b>5.</b>	<b>CHECK GAS PRESSURE &amp; OPERATION OF FIRE</b> .....	<b>9</b>
<b>6.</b>	<b>TEST for SPILLAGE</b> .....	<b>10</b>
<b>7.</b>	<b>COMPLETE THE INSTALLATION</b> .....	<b>11</b>
<b>8.</b>	<b>CUSTOMER INFORMATION</b> .....	<b>11</b>
<b>9.</b>	<b>SERVICING &amp; REPLACEMENT OF PARTS</b> .....	<b>12</b>
	9.1 General Access.....	12
	9.2 Burner and Electrode.....	13
	9.2.1 Electrode.....	
	9.2.2 Burner.....	13
	9.3 Gas Tap, Piezo And Injectors.....	14
	9.3.1 Piezo.....	14
	9.3.2 Injectors.....	14
<b>10</b>	<b>SHORTLIST OF SPARES</b> .....	<b>15</b>

---

# 1. Technical Data - Page 3

Input (Full On)	5.42 kW	19.51 MJ/h	(18,500 Btu/h) Gross
Output (Full On)	3.25 kW	11.70 MJ/h	(11,100 Btu/h)
	(under typical flue pull conditions)		
Input (Min.Setting)	1.67 kW	6.01 MJ/h	(5,700) Btu/h) Gross
Injectors	Bray Cat 28 size 195 (upper and lower)		
Burner	Bray No. AB 9516W, Duplex box type.		
Cold Setting Pressure	18.9 mbar	(7.4 in w.g.)	
Hot Setting Pressure	18.9 mbar	(7.4 in w.g.)	
Ignition	Rotary action impact piezo spark, integral with gas control tap		
Gas Rate - Meter:	10 minutes after lighting, 2ft. <sup>3</sup> in approximately 6 ½ minutes		
Weight (Nett)	16.9kg (37 lbs) approx.		
Gas Rate Adjustment:	None		
Aeration Adjustment:	None		
Electrical Connection:	None		
Gas Connection:	Rc¼ (¼ in B.S.Pint) elbow in centre at back of fire		
Data Plate:	Fastened to inner casing on right hand side panel. (Remove outer case for access).		

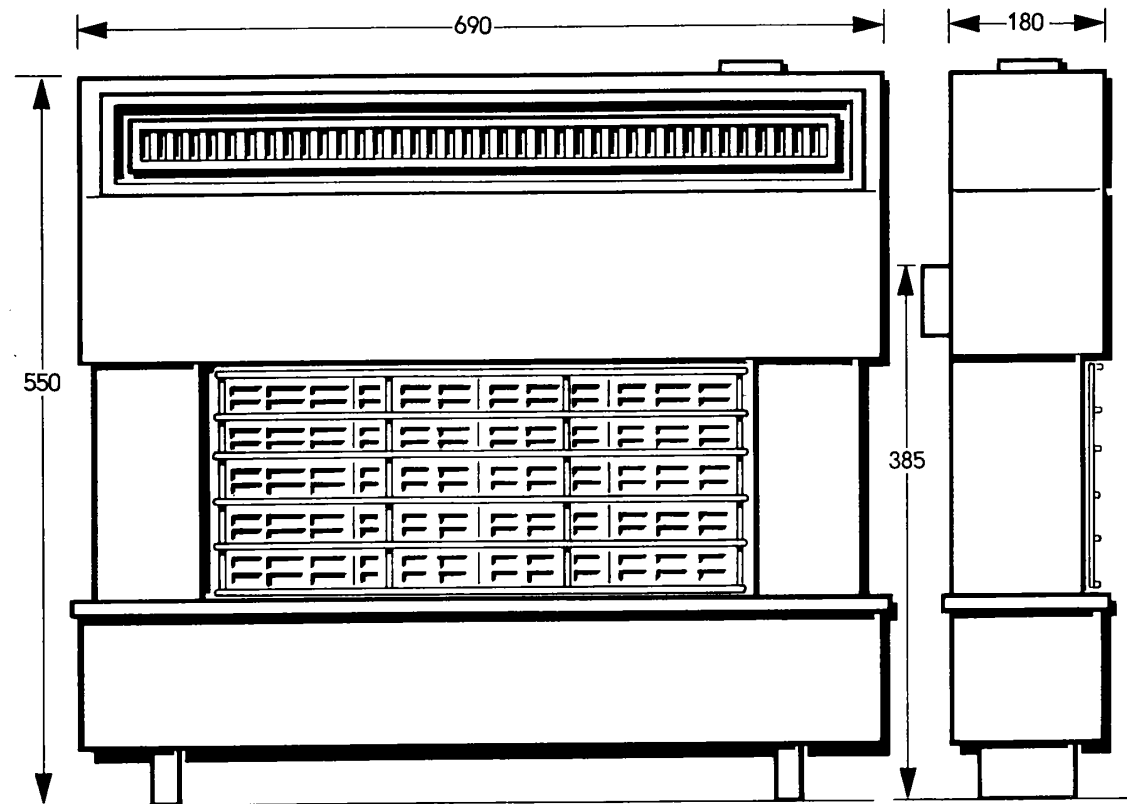


Fig. 1

All Dimensions In mm

## 2. General - Page 3

The Hallmark is an Radiant Convecteur gas fire, it is lit by a piezo spark igniter so batteries or electricity are not required. The radiant heat is created by the use of ceramic radiants mounted centrally below the convecteur box.

**IMPORTANT:** Certain types of wallcoverings e.g. Blown Vinyl, are easily affected by heat. They may shrink and discolour when close to a heating appliance. Please bear this in mind when installing the fire. Also, because of the way hot air circulates naturally convected heat from the fire, dust or tobacco smoke particles in the air will draw towards the wallcovering around the fire and may discolour it.

**IMPORTANT:** This fire **MUST NOT** be installed without its Closure Plate.

If you have any problems or questions concerning this appliance, please contact the **Potterton Myson Technical Help Line - Telephone (01926) 410044.**

## 3. Installation Requirements - Page 3

### 3.1. Fire Location

The fire may be floor or wall mounted. The depth of the fireplace opening being a minimum of 165mm and the height to the base of the spigot being a minimum of 250mm. A clearance of 50mm minimum between the end of the spigot and the chimney. See Fig. 2.

A space of 765mm wide x 700mm high is required for installation. The height can be reduced where non combustible materials are used. See Fig. 4.

A floor mounted fire must be on a non combustible hearth measuring at least 762mm wide and 305 deep. The hearth material should be at least 12mm thick, see Fig. 3. Its top surface should be preferably be 50mm above the floor level in order to discourage the placing of a rug over it. The fire **MUST NOT** be fitted directly onto a combustible floor. The fire is suitable for installing in a normal brick chimney or a properly constructed Pre-Cast Flue.

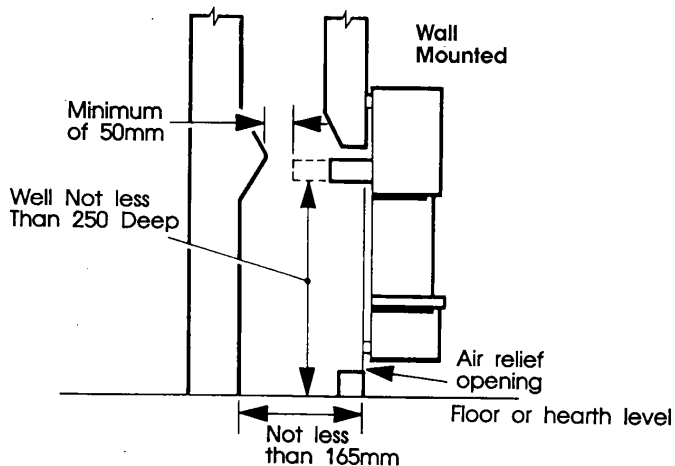


Fig. 2

### 3.2. Check The Chimney

- The chimney must be swept immediately prior to installation.
- Remove any damper or register plate.
- Any air supply e.g. underdraught openings etc., that enter the fireplace other than via the closure plate **MUST BE COMPLETELY SEALED OFF.**
- Check that the chimney serves only one fireplace and the base of the flue is clear of debris, bricking up etc.
- Check also that the fireplace opening and the flue are properly sealed so that combustion products do not come in contact with combustible material outside the flue passage.
- Check for flue pull by applying a lighted taper, match or smoke match into the fireplace opening. If there is a definite flow into the opening proceed with the installation. If not, pre-heat the flue for about 2 minutes and re-check. If there is still no definite flow the flue may require attention, so:

**DO NOT PROCEED ANY FURTHER WITH THE INSTALLATION UNTIL EXPERT ADVICE HAS BEEN SOUGHT.**

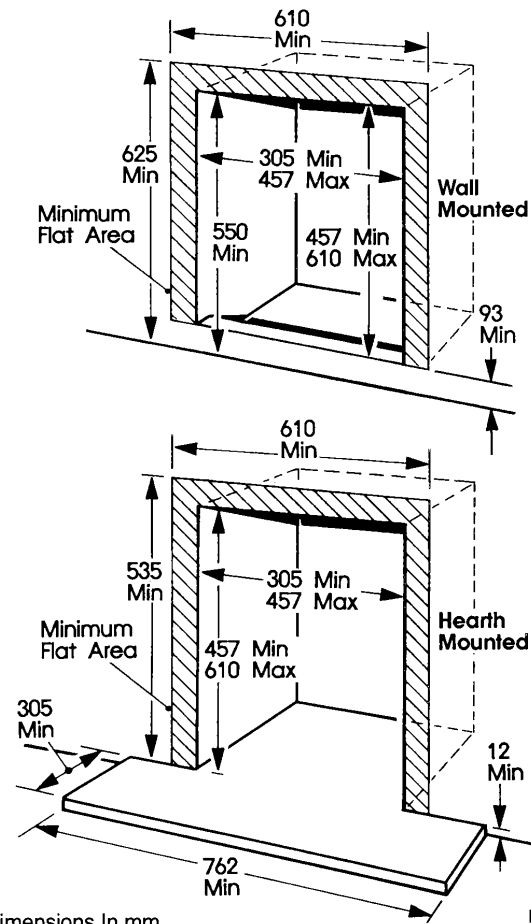
### 3. Installation Requirements - Page 5

#### 3.3. Combustible Wall

If the wall against which the fire is to be installed has combustible cladding or surround, the following conditions must be met:

**Note:** Certain types of wall coverings may be prone to discolouration.

- a) The cladding must fit snugly to the wall face, any air cavities must be sealed to prevent air leakage into the chimney, which would spoil the flue pull.
- b) Any combustible cladding (i.e. Wallpaper, etc) must not extend more than 13mm behind the outer case of the fire.
- c) The cladding material must not extend inside the area of the fireplace opening. Under no circumstances can it be present inside the fireplace openings or flue passage, or in any position which will allow direct contact with the hot flue products.
- d) The fire must discharge all its products inside the fireplace opening in the wall. Use a flue spigot extension (not Supplied) if necessary.
- e) The engagement points for the fixing screws must be adequate to support the fire solidly in all circumstances through its life.
- f) The minimum flat area is required to ensure that a satisfactory seal can be made between the fireplace and the appliance.



All Dimensions In mm

Fig. 3

#### 3.4. Fireplace Opening

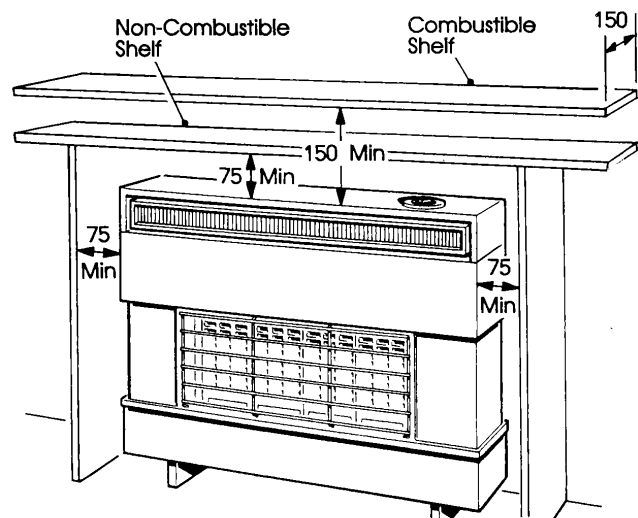
For the dimensions of both wall mounted and floor mounted fires, see Fig. 3.

#### 3.5. Fire Surrounds & Shelves

- a) This fire can be fitted to a non-combustible fire surround and hearth or a propriety fire surround and hearth with a 1000C rating.
- b) The surround must comply with the same minimum flat area requirements as the fireplace opening. See Fig. 3. The surround and hearth must be sealed to the floor & wall to prevent air entrainment.
- c) The hearth **MUST** be to the dimensions shown in Fig. 3. and located centrally about the fireplace opening.
- d) No permanent restriction should be placed within 75mm of either side or top of the fire this will enable the outer case to be removed for installation & servicing.

A combustible shelf can be fitted a minimum of 150mm above the top point of the fire provided that it does not stand out from the wall more than 150mm.

A shelf of non-combustible material up to 150mm deep may be fitted above with a minimum space of 75mm between the top of the fire. See Fig 4.



All Dimensions In mm

Fig. 4

### 3. Installation Requirements - Page 6

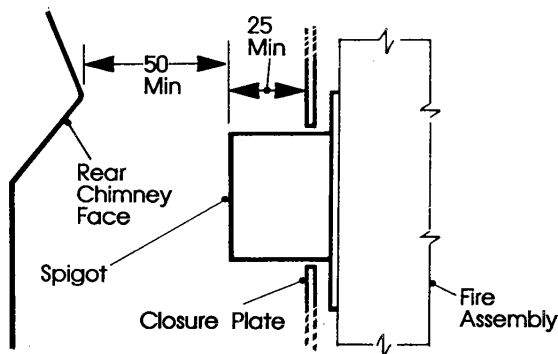


Fig. 5 All Dimensions In mm

### 3.6. Spigot & Spigot Extension

The flue spigot or spigot extension **MUST** pass through the closure plate by at least 25mm and have a minimum clearance of 50mm between its opening & the nearest obstruction.

### 3.7. Pre-Cast Flue

The fire is suitable for fitting into a properly constructed non impeded pre-cast flues at least 3m high.

## 4. Installation

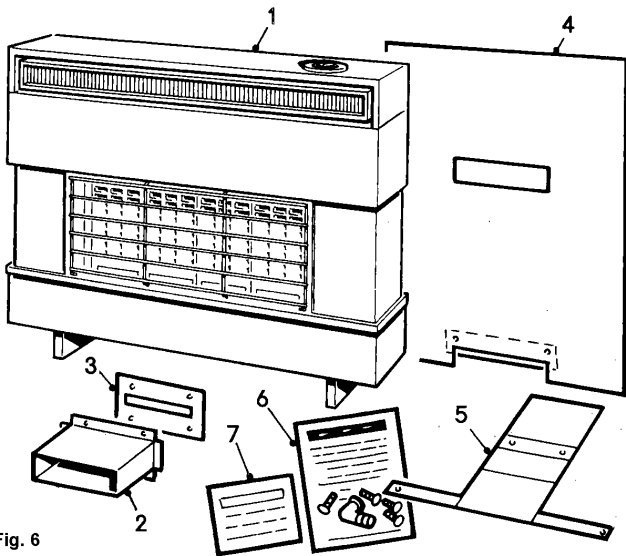


Fig. 6

### 4.1. Unpack The Fire

The pack contains:

- 1 Fire Assembly (with radiants)
- 2 Flue Spigot
- 3 Spigot Restrictor
- 4 Closure plate
- 5 Cooler Plate
- 6 Poly Bag Assembly
- 7 Reply Card

If any parts are damaged or missing please contact the phone number shown on the check lists supplied with the packs.

Do Not discard the packaging until all items are accounted for or the fire is installed.

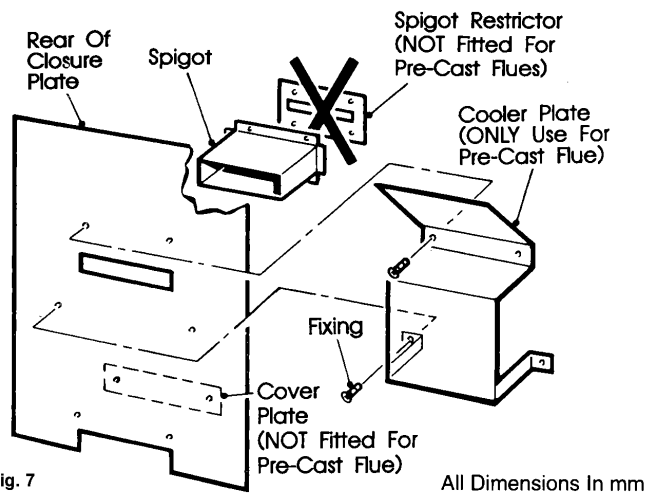


Fig. 7

All Dimensions In mm

### 4.2. Pre-Cast Flue

**Note:** It must be emphasised that no mortar fangs between the blocks should be extruded into the flue way. If raking blocks are used they must be fitted according to the manufacturers instructions. Mortar **MUST NOT** be allowed to drop down and accumulate in the raked positions.

The spigot restrictor should **NOT** be fitted.

The cooler plate supplied must be formed at the markings on the plate shown in Fig. 7. Then fix to the rear face of the closure plate using the screws provided. See Fig. 7.

## 4. Installation - Page 7

### 4.3. Closure Plate – Wall Mounted

**Note:** See Combustible Wall Cladding-page 5. This fire is not suitable for use on combustible walls.

- When wall mounted, the bottom of the fire must be at least 150mm from the floor or top surface of any combustible material, e.g. Rugs, Carpets, etc. See Fig 8. before the fire is screwed to the wall.
- The closure plate may be cut down in height so that the sealing tape is not visible above the fire provided there is still 13mm overlap of the plate along the top of the fireplace opening.
- If the closure plate has been reduced in size by trimming off at the bottom, a new air relief opening **MUST** be cut. See Fig. 10.
- Tape the closure plate so the bottom edge is a minimum of 93mm from the carpet. The bottom of the flue spigot aperture will be 440mm above the carpet. See Fig 10.

### 4.4. Closure Plate - Hearth Mounted

**Note:** See Combustible Wall Cladding-page 5. This fire is not suitable for use on combustible walls.

- Fit the closure plate to the fire opening and seal around the edges on all four sides.
- Check the spigot and air relief openings in the plate are not obstructed by any brickwork etc.
- The closure plate may be cut down in height so that the sealing tape is not visible above the fire provided there is still 13mm overlap of the plate along the top of the fireplace opening.

### 4.5. Spigot Restrictor

Standard brick chimneys 228mm x 228mm. If over 4.3m in height with a **good flue suction** the spigot restrictor should be fitted.

**It should not be used if:**

- The chimney is less than 4.3m.
- The flue suction is poor.
- The pre-cast flue is used irrespective of its height.

For example of the spigot restrictor see Fig. 7.

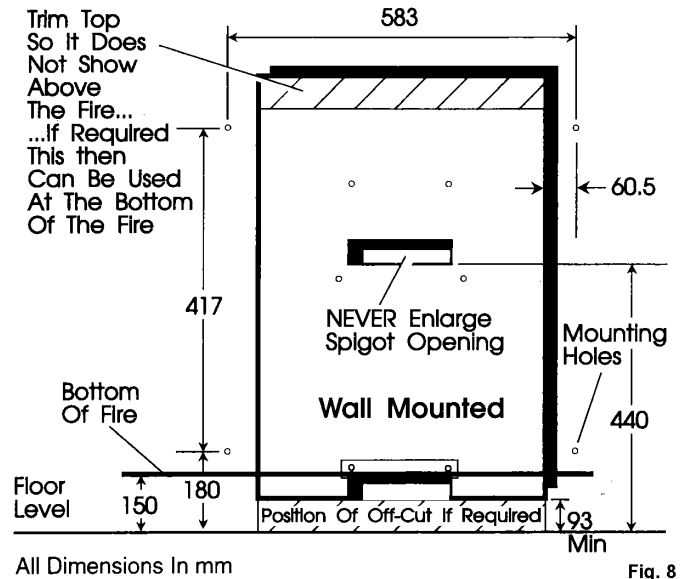


Fig. 8

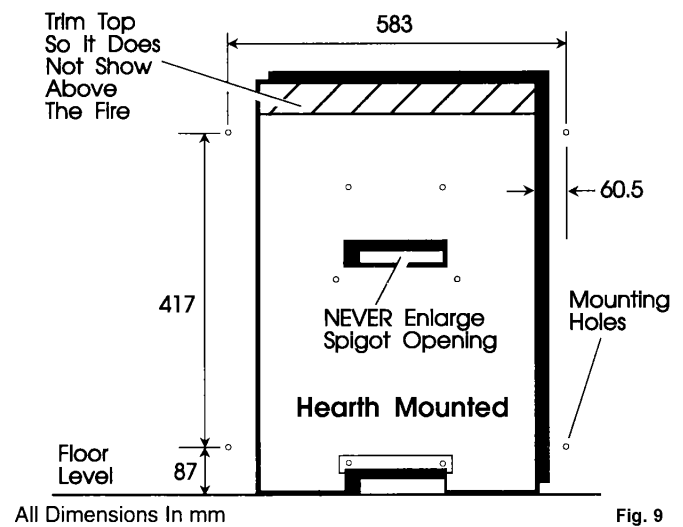


Fig. 9

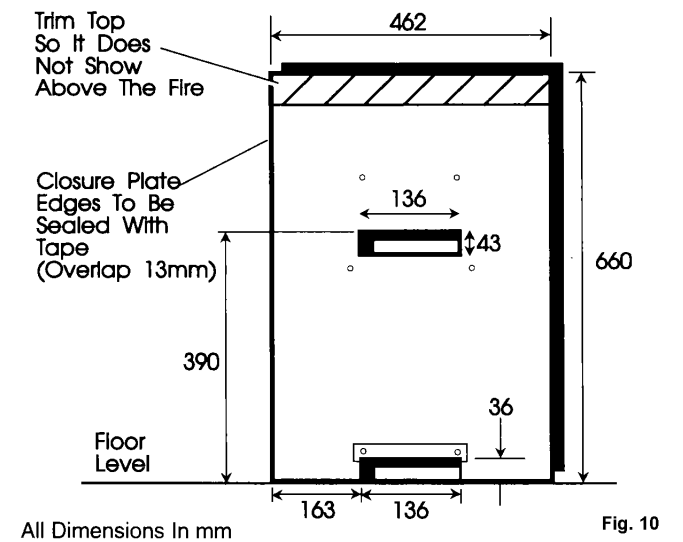
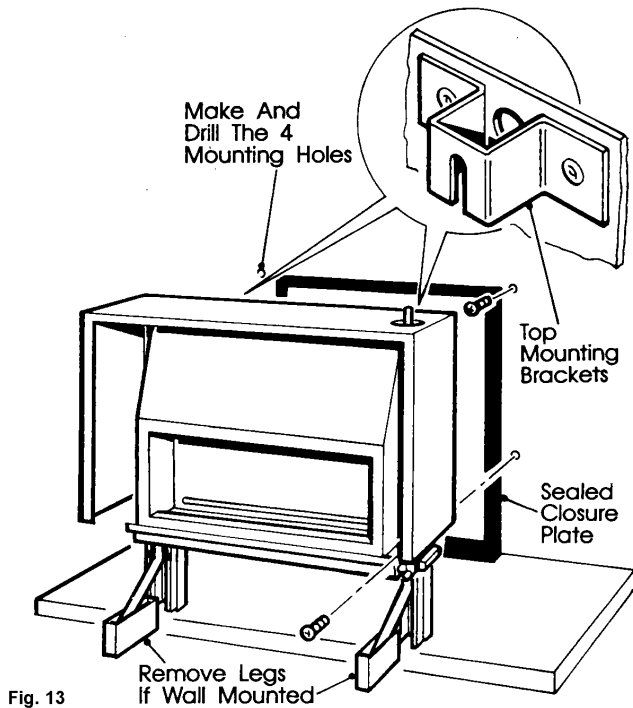
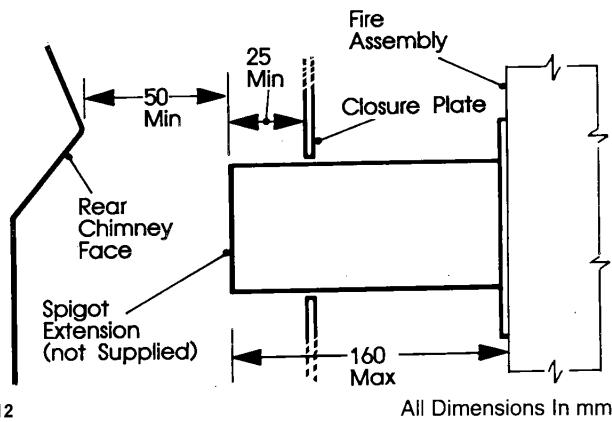
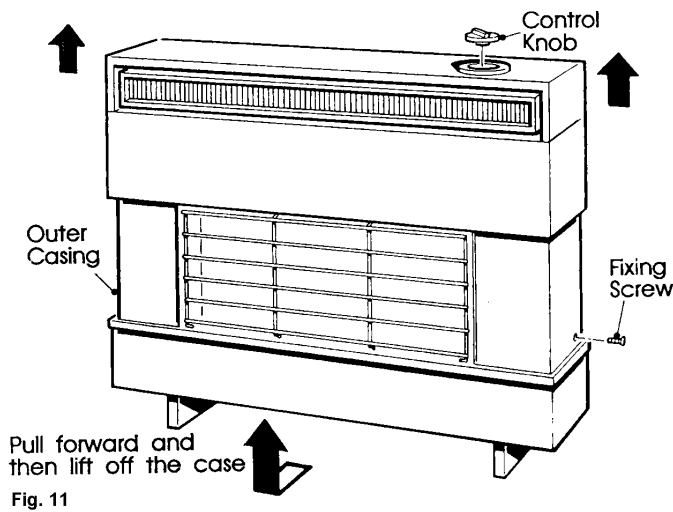


Fig. 10

## 4. Installation - Page 8



### 4.6. Dis-assemble The Fire

- Remove the dressguard
- Carefully remove the radiant pack from the front of the fire.
- Pull off the control knob.
- Remove the outer case by removing the two case securing screws accessible through the lower holes in the side panels. See Fig. 11.
- Draw the case forward at the bottom and lift off.
- Screw the flue spigot and spigot restrictor, (if required) to the back panel using the screws above and below the flue aperture.

**Note:** The flue spigot may be extended to a **maximum total length of 160mm**, measured from the back of the fire if needed, for any of the following reasons:

- If the fire is fitted to a recessed fireplace and the existing flue spigot does not enter the closure plate by at least 25mm.
- If an extension of the flue spigot backwards into a deep fireplace would help clearance of products.

**Note:** In all cases the spigot or its extension should pass at least 25mm through the closure plate. See Fig 12.

- If the fire is to be wall mounted the two leg assemblies should be removed.

### 4.7. Mounting The Fire

- Offer the fire chassis to the closure plate and enter the flue spigot into its aperture in the close plate.
- Make sure the fire is level and mark the four mounting holes, then remove the chassis and place to one side.
- Drill and plug the wall (using No. 8 wall plugs).
- Partially screw in the two top screws (using 38mm x No.10 screws). Make sure they are firm enough in the wall to support the fire.
- Hang the fire on the two top screws and swing the flue spigot through the closure plate aperture.
- Fit the bottom screws and tighten all four screws up securing the fire chassis to the wall.

### 4.8. Prepare The Fire Connection

The appliance shall be connected with rigid or semi-rigid tubing.

The gas inlet is at the bottom rear centre of the appliance under the convector box. An RC1A (¼inch BSP Internal Taper) union elbow is provided and a suitable supply can be directed through 3600 to the position required.



## 4. Installation - Page 9

### 4.8. Prepare The Fire Connection Cont.

#### IMPORTANT:

In all installations, a means of isolating the main gas supply must be fitted close to the fire, so the fire can easily be removed for servicing.

When the fire is in position, the air relief opening is covered by a deflector plate fastened to the back of the fire. See Fig. 14.

The deflector plate also covers the elbow union and must be pivoted open before installation can take place, so proceed as follows:

- Remove the screw on the right of the deflector plate.
- Open it by swinging it to the left.

#### 4.8.1. Gas Connection

The fire can now be connected to the gas supply using left or right hand side entry or rear entry as required.

If a concealed connection is required from the rear of the fire, it will be necessary to cut a small clearance slot in the closure plate.

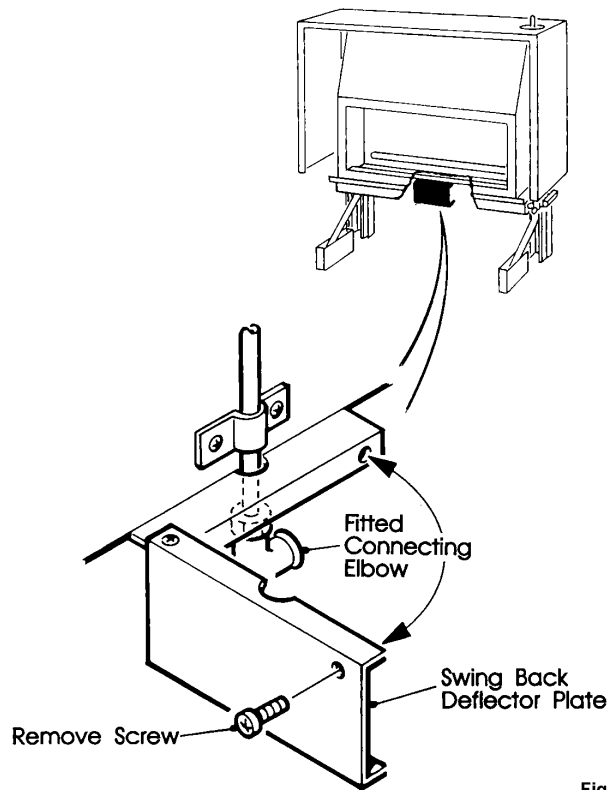


Fig. 14

## 5. Check Gas Pressure & Operation Of Fire

The test point screw is located on the Right hand side of the fire under the gas tap.

- Remove the pressure test point screw and connect a pressure gauge. See Fig 15.
- Carefully unpack the radiants. Insert the radiants under the canopy, lift the bottom edge over the flange of the radiant support plate and slide the radiant down behind the rib of the radiant support. See Fig. 16.

**Note:** It is essential that the radiant falls forward against the inside edge of the canopy.

- Fit the control knob.
- Turn ON the gas supply and test all joints for gas soundness. Then purge the installation in accordance with B56891.
- Push in the control knob and turn slowly anticlockwise, until a loud click is heard. The burner should be lit. It may be necessary to repeat this operation several times before all the air is purged from the line. Push in and turn the knob clockwise back to '0' between each attempt.

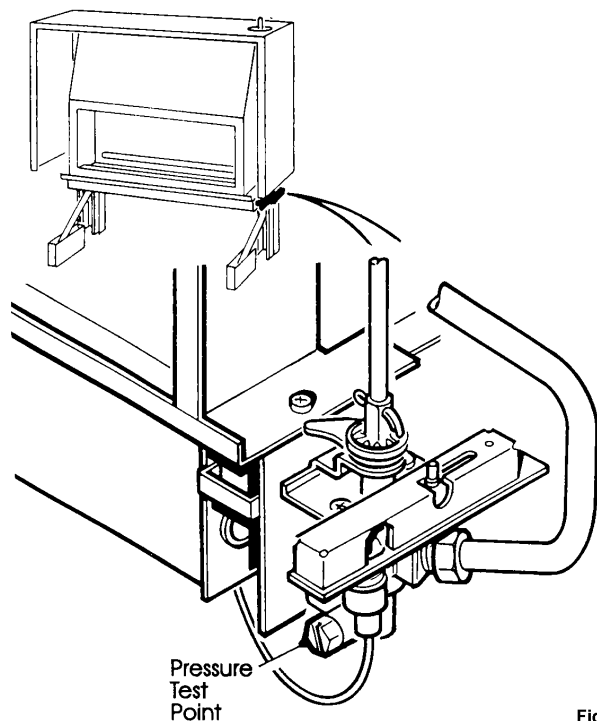


Fig. 15

## 5. Check Gas Pressure & Operation Of Fire - Page 10

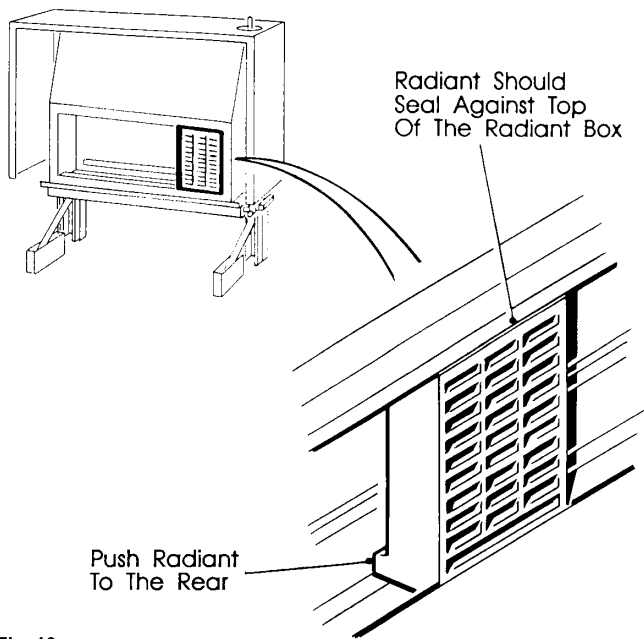


Fig. 16

## 6. Test For Spillage

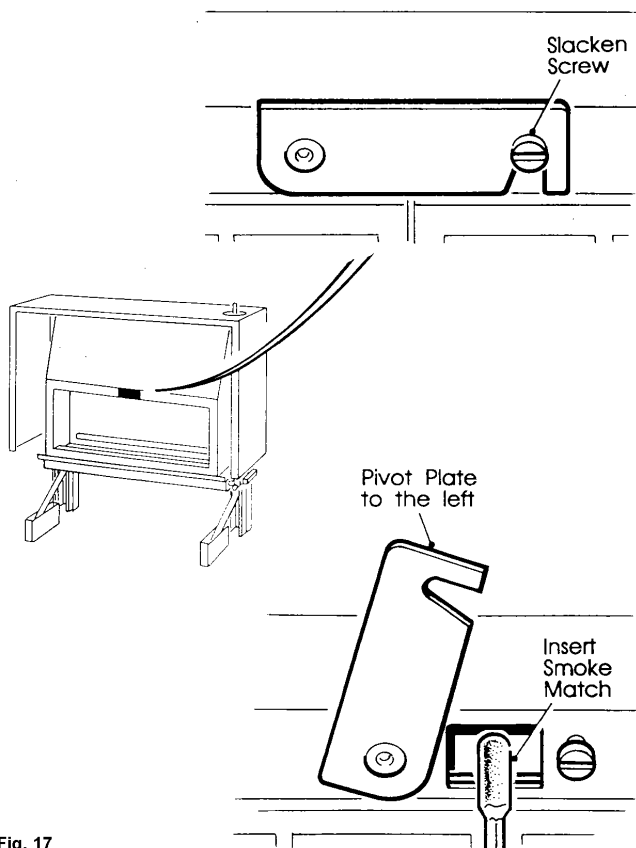


Fig. 17

## 5.0. Check Gas Pressure & Operation Of Fire - Cont.

f) Once the burner is lit, the fire should remain on the its maximum setting 6 ⚡.

g) Check the gas pressure, it should be:-

18.9mbar  $\pm$  0.5mbar (7.4in w.g.  $\pm$  0.2in w.g.).

This pressure will only be obtained if the incoming gas pressure is 20mbar (8in w.g.).

h) Push in and turn the control knob through to 'OFF'.

i) Disconnect the pressure gauge, re-fit the pressure test point screw and test for gas soundness.

j) Close the air relief deflector plate, re-fit the screws.

a) Close all doors and windows, re-light the fire and turn to setting '6'.

b) After 10 minutes the fire will be ready to test for spillage. Expose the test hole by slackening off the screw holding the cover plate in position and pivot it to the left. See Fig. 17.

c) light a smoke match and position in the test hole as shown in Fig. 17. The complete head of the smoke match should be inserted into the hole.

d) If the flue is pulling normally, all the smoke will be drawn into the chimney.

e) if there are is any downblow or if the smoke seems to drift from the hole this shows spillage.

f) Turn off the fire, disconnect from the supply and remove the spigot restrictor. Repeat the smoke test

g) If any sign of spillage persists the chimney is faulty. The cause of the faulty chimney must be rectified, before leaving the fire installed.

**Note:** Possible causes of poorflue performance are blocked or partially blocked chimney (cured by sweeping) or downblow (cured by fitting a suitable cowl).

IF THE FAULT CANNOT BE CORRECTED, TURN OFF AND DISCONNECT THE FIRE. SEEK EXPERT ADVICE.

h) If the test is successful, turn the fire off and complete the installation.

## 7. Complete The Installation

- a) Remove the control knob.

Before re-fitting the outer case, show the customer the data badge and advise them to write the serial number in the space provided in the Instructions For Use - Page 6.

- b) Make sure the large flat washer between the fire chassis and the outer casing at the top of the control rod is in position.
- c) Fit the outer case at the top first by locating the two pegs on the back panel into their holes in the case. Swing the front of the case into position. See Fig. 18.
- d) Replace the case securing screws (one each side).
- e) Re-fit the control knob and dressguard.

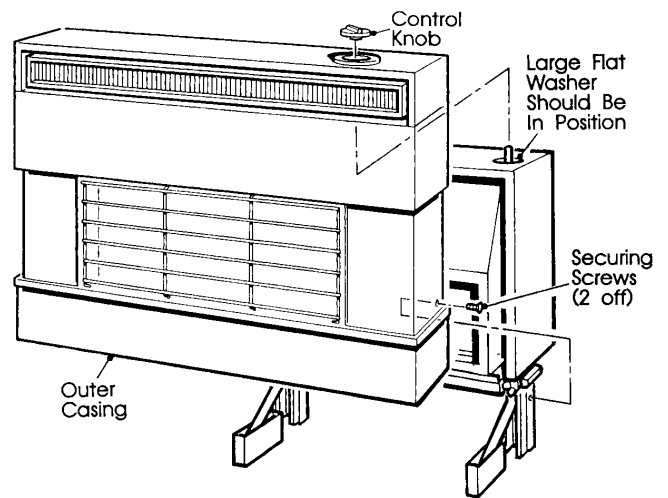


Fig. 18

## 8. Customer Information

Make sure the customer knows how to operate the fire and clearly understands the following:

- a) The control knob must be pressed down before the fire can be turned ON or OFF.
- b) The control knob should be turned slowly anticlockwise and the spark igniter will operate during the turning of the tap.
- c) The fire can be lit by a taper if necessary. To do this, light the taper and apply it to the base of one of the centre radiants. Then turn the control knob anticlockwise to setting '6'
- d) The control knob has numbers to help find the best setting, but it is not a thermostat. See Fig. 19.
- e) The Radiants can be replaced if necessary. Demonstrate the removal of the dressguard and the replacement of the Radiants. See Fig.16.
- f) Explain to the user that the fire should be service regularly, or as recommended by the local Gas Authority, for continued safe and efficient operate.
- g) That certain types of wall coverings, e.g. Blown Vinyl, are easily affected by heat. They may shrink and discolour when close to a heating appliance. They should bear this in mind when decorating the room. Also, because of the way hot air circulates naturally convected heat from the fire, dust or tobacco smoke particles in the air will be drawn towards the wallcovering around the fire and may discolour it.

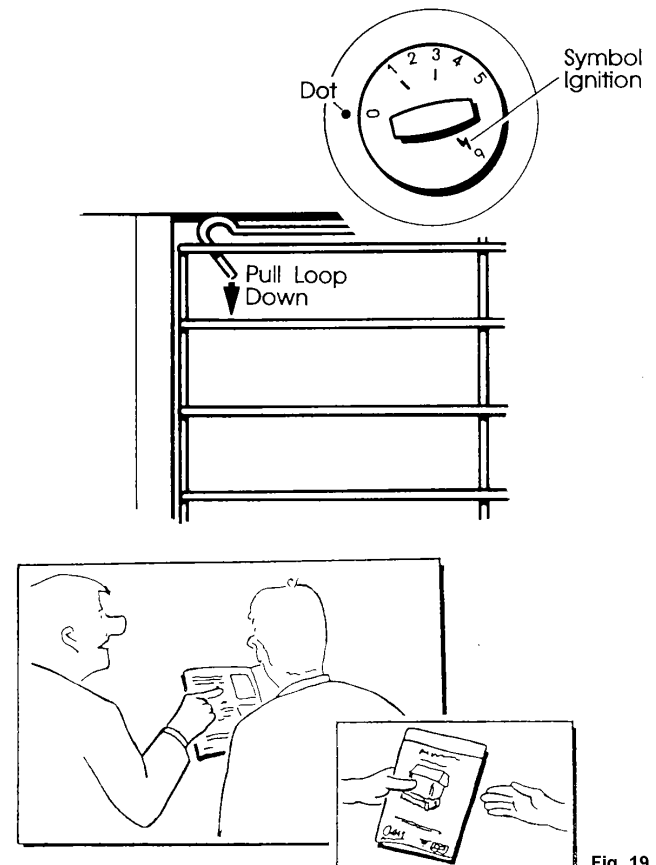


Fig. 19

*Leave these Installation and Service Instructions with the User for use on future calls.*

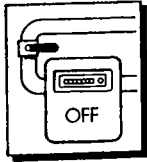
## 9. Servicing & Replacement of Parts

# When servicing the fire, always remove dust and debris from the burner and fire interior.

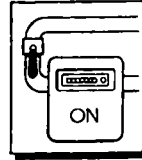
# We recommend that the complete fire is removed from the fireplace opening and the following steps performed:-

Clear the opening of dust and debris.

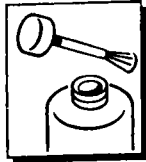
Check the chimney to ensure continued clearance of combustion products and that there is no excessive build up of soot.



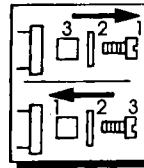
**TURN OFF THE GAS SUPPLY AND ALLOW THE FIRE TO COOL BEFORE STARTING ANY WORK.**



Turn on the gas supply after servicing or replacement of parts to check the appliance is working correctly.



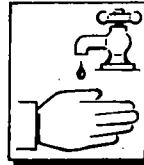
**ALWAYS CHECK FOR GAS SOUNDNESS AFTER SERVICING OR REPLACEMENT OF ANY GAS CARRYING COMPONENTS.**



When replacing parts, re-assemble in reverse order unless otherwise stated.



When servicing the fire, always remove dust and debris from the burner and fire interior.



In the interests of hygiene, please wash your hands after servicing this appliance.

Fig. 20

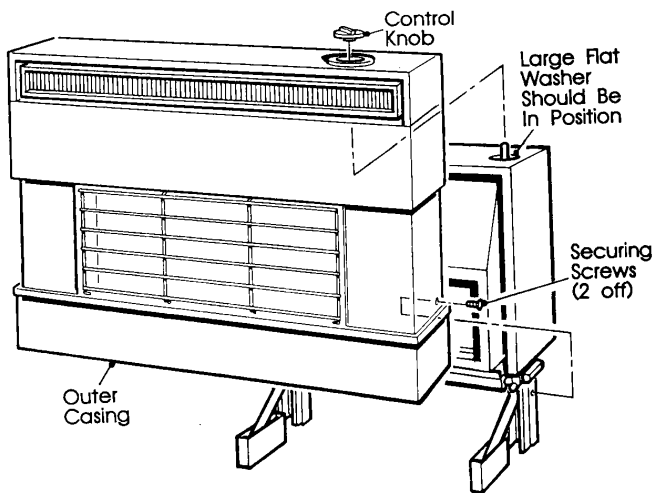


Fig. 21

### 9.1. General Access

- Ensure the gas supply to the fire is OFF.
- Carefully pull off the control knob.
- Remove the two screws fixing screws from each side of the case.
- Carefully draw the case forward at the bottom and lift off.

On re-assembly, check the large flat washer at the top of the control rod is in position. Make sure the case is located correctly on the two location pegs on the top of the heat exchanger, before securing the case with two screws.

## 9. Servicing & Replacement of Parts - Page 13

### 9.2. Burner and Electrode

- a) Perform General Access - 9.1.
- b) Disconnect the Gas supply union from the tap.
- c) Remove the screw securing the burner to the right hand end of the burner plate.
- d) Slacken the screw and wingnut securing the burner to the left hand end of the burner plate.
- e) Slide the burner to the right and lower to the floor.

The burner and electrode are accessible for servicing.

### 9.2.1 Electrode

- a) Remove the electrode lead.
- b) Remove the nut and washer securing the electrode to the burner. The spark gap at the electrode should be 3-4mm. See Fig. 22.

### 9.2.2. Burner

- a) Remove the locknut securing the tap to the burner.
- b) Remove the electrode as above and clean or replace the burner.

On re-assembly make sure the large flat washer is fitted to the top of the control rod between the fire chassis and the outer case.

Check for gas soundness and for the correct operation of the fire.

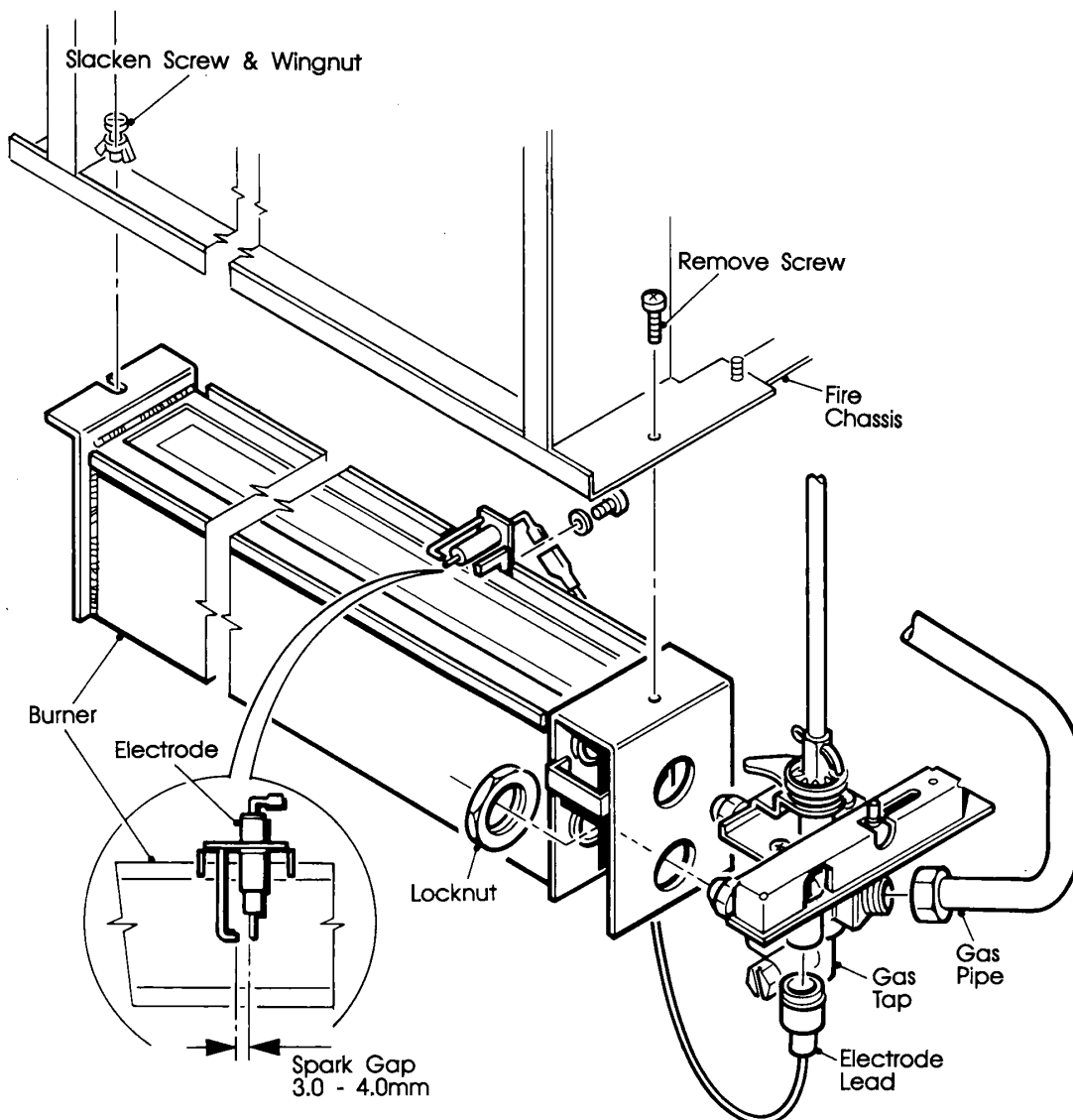


Fig. 22

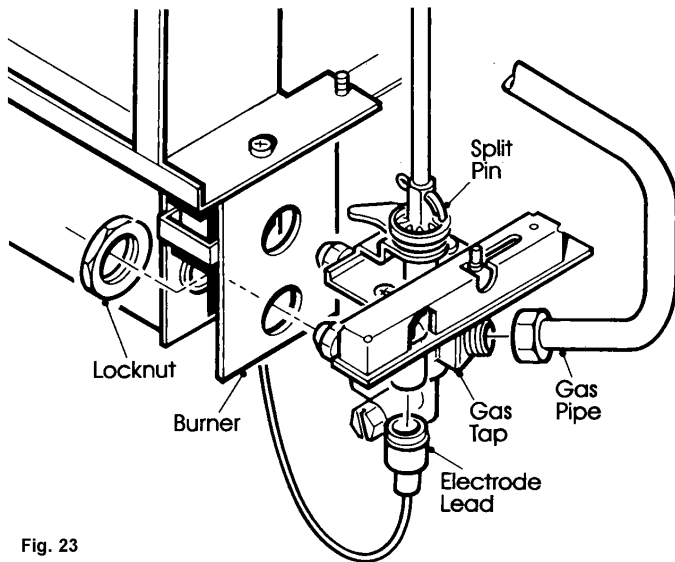


Fig. 23

### 9.3. Gas Tap, Piezo And Injector

- a) Perform General Access -9.1.
- b) Remove the split pin connecting piezo to the control rod.
- c) Disconnect the union nut securing the gas pipe to the tap.
- d) Disconnect the electrode lead from the piezo unit.
- e) Remove the lock nut securing the tap to the burner.

Now either the Injectors or the piezo can be removed.

#### 9.3.1 Piezo

- a) Remove the two screws securing the piezo to tap. Be careful to retain the small spring housed between the tap and the piezo.

**Note:** When re-fitting the piezo to the tap, make sure the small spring is housed in the piezo. The engaging ribs at the base of the piezo should also be seated correctly in the tap slots, before securing with the two screws.

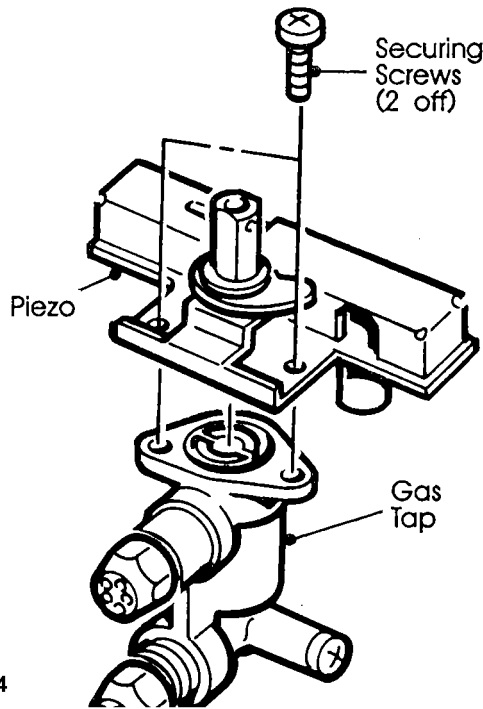


Fig. 24

#### 9.3.2 Injectors

Remove the two injectors.

The injectors are of the double ceramic tipped design and the holes should be cleaned by immersion in a suitable solvent.

**DO NOT CLEAN OUT** with a pin or any other similar implement. A broken or cracked injector must be replaced with a new one.

Notes on re-assembly - Use a suitable sealing compound on the threads.

- e) Check for gas soundness and correct operation of the fire.

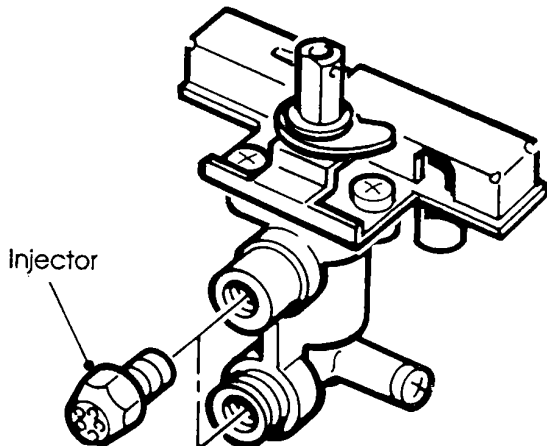


Fig. 25

# 10. Short List Of Spares

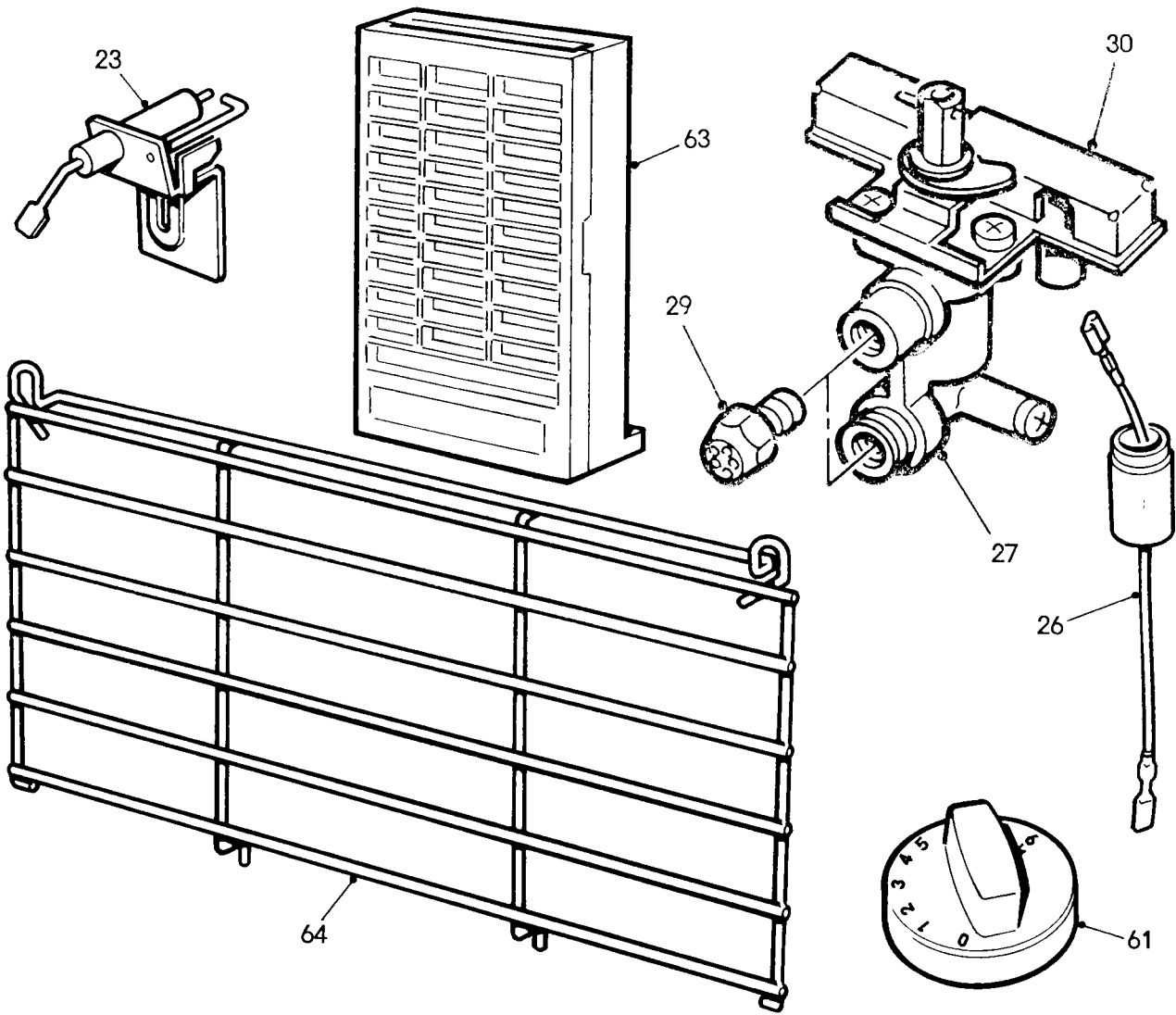


Fig. 26

Key No	G.C. No	Description	No Off	Makers Part No
23	382 594	Electrode - APCO 7854	1	900/9446
26	145 845	Electrode Lead	1	900/9393
27	386 861	Control Tap Assembly (Concentric JC/A/91 5). Includes Key No. 30	1	904/1044
29	398 493	Injector - Bray Cat.28 Size 195	2	900/705
30	397 730	Piezo Generator - Concentric No. JC/SA/2130	1	904/9387
61	127 038	Control Knob Assembly Handicapped Person Control	1	900/1051
	127 046	Knob Assembly	1	900HP/1 051
63	145 898	Radiant	4	900/9347
64	145965	Dressguard	1	50/900/759